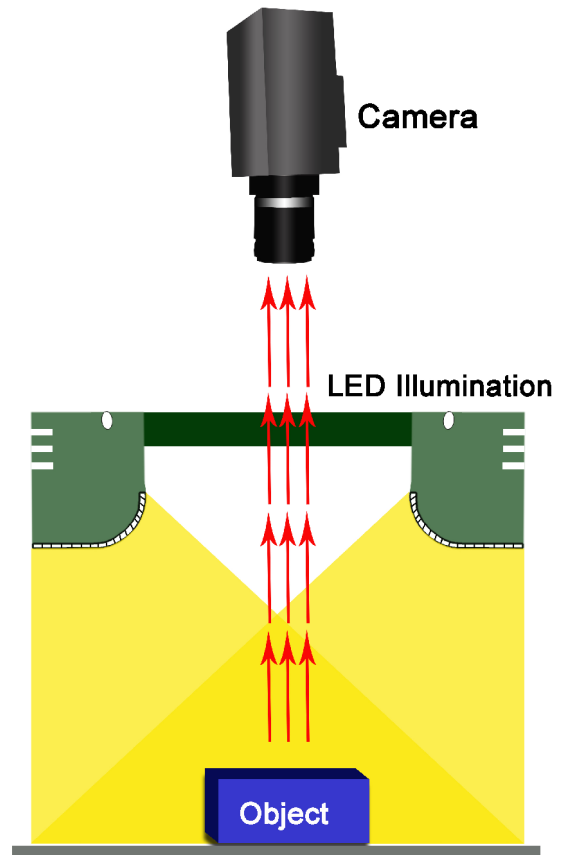
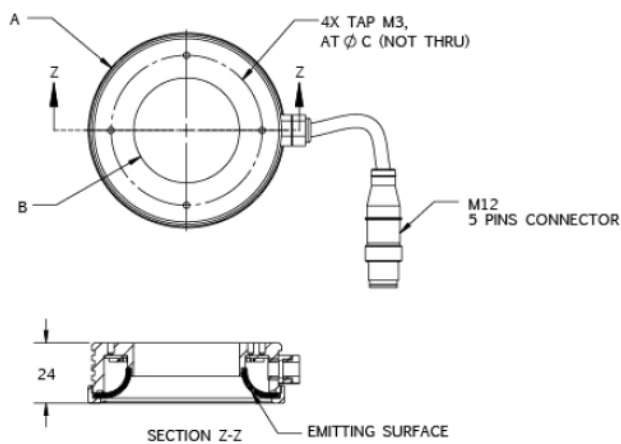


## Ingress Protection Illumination

### HPDP-IP Series – Larger Uniform Ring Light Illumination

HPDP-IP is an ingress protection power LED with molded diffuse to achieve a high uniform area with high flexibility.



Model	Dimensions (mm)			Color	Voltage/ Watt	Current
	A	B	C			
HPDP-00-070-1-X	78	42	60	●	24V / 1.80W	75mA
				● ● ○	24V / 2.16W	90mA
HPDP-00-110-1-X	116.4	68	90	●	24V / 3.96W	165mA
				● ● ○	24V / 4.37W	182mA