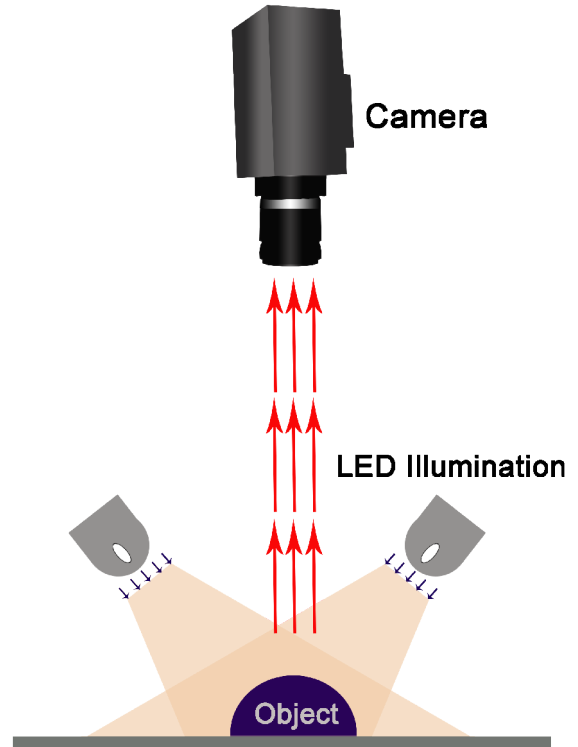
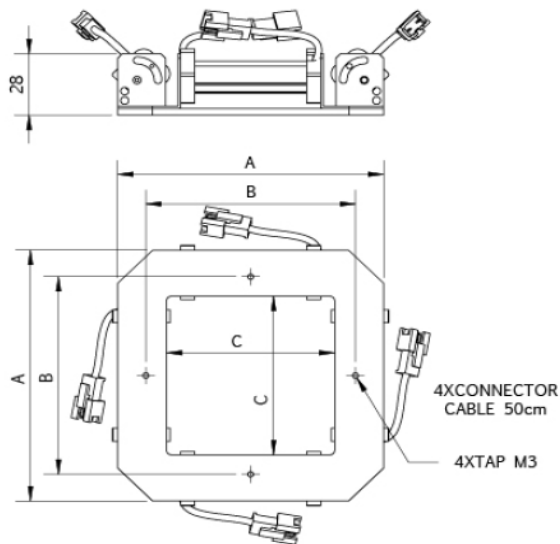


LBDQ Series – Diffused Multiple Rectangular Illumination

The LBDQ series combines 4 light tubes, which provide an even light. Each light tube angle can be adjusted for different height applications.

Application: label inspection, character inspection, code recognition



Model	Dimensions (mm)			Color	Voltage/ Watt	Current
	A	B	C			
LBDQ-00-050-1-X	114	90	72	●	24V / 2.88W	120mA
				● ● ○	24V / 2.88W	120mA
LBDQ-00-100-1-X	164	140	122	●	24V / 5.76W	240mA
				● ● ○	24V / 5.76W	240mA